

FMJ Series Solar Gel Battery

FMJ系列太阳能专用胶体蓄电池



产品特性 Product characteristics

性能稳定:采用先进的纳米硅胶体材料，成胶后形成稳定的3.2.2.3锥形三维结构，具有不水化、酸液不分层的优点。

寿命长:胶体电池电解质为高分子结构，凝胶后铅粉不易脱落，负极不易硫酸化，电池充电时小电流及欠压电池接受电能力强，特别适合太阳能系统储能的要求。

低温性能佳:在低温下（-30℃），电解质不分层，比同规格的铅酸蓄电池容量高30-50%。
高温、过充性能好:胶体蓄电池采用过量的电解质，电池在高温及过充电情况下，不易出现干涸现象。

自放电小:采用稳定的的电解质结构，使蓄电池自放电微小，最长可储存2年不充电。
容量稳定性好:采用了较强渗透性的胶体电解质，使蓄电池的容量不易衰减。

Stable performance: adoption of advanced nanometer silica gel materials that forms stable 3.2.2.3 cone-shaped 3D structure after gel forming, no hydration, no stratification of acid liquor.

Long service life: the electrolyte of gel battery has polymer structure, the lead powder will not come off easily after gel forming, negative plate will not sulfate, has low-current charging and strong power receiving capacity of under-voltage battery, especially meeting the energy-storing requirements of solar energy system.

Excellent low-temperature performance: under low-temperature (-30?) condition, the electrolyte will not stratify, the battery capacity is 30-50% higher than the lead-acid battery of the same specification.

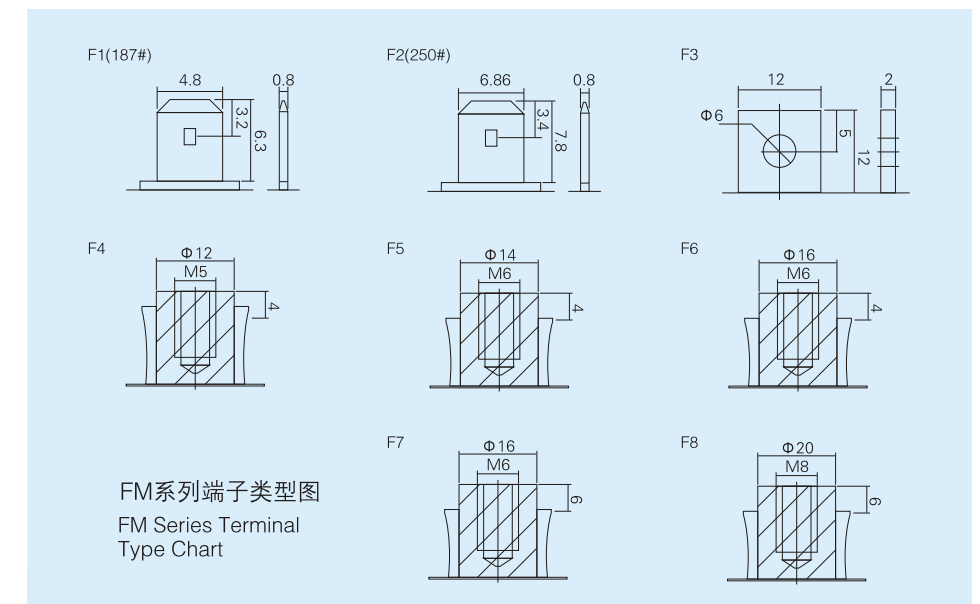
Good high-temperature and overcharge performance: the gel battery adopts excessive electrolyte, the battery will not dry out under circumstance of high-temperature and overcharge.

Low self-discharge: it adopts stable electrolyte structure, the self-discharge rate of battery is very low, can be put aside for two years without charging.

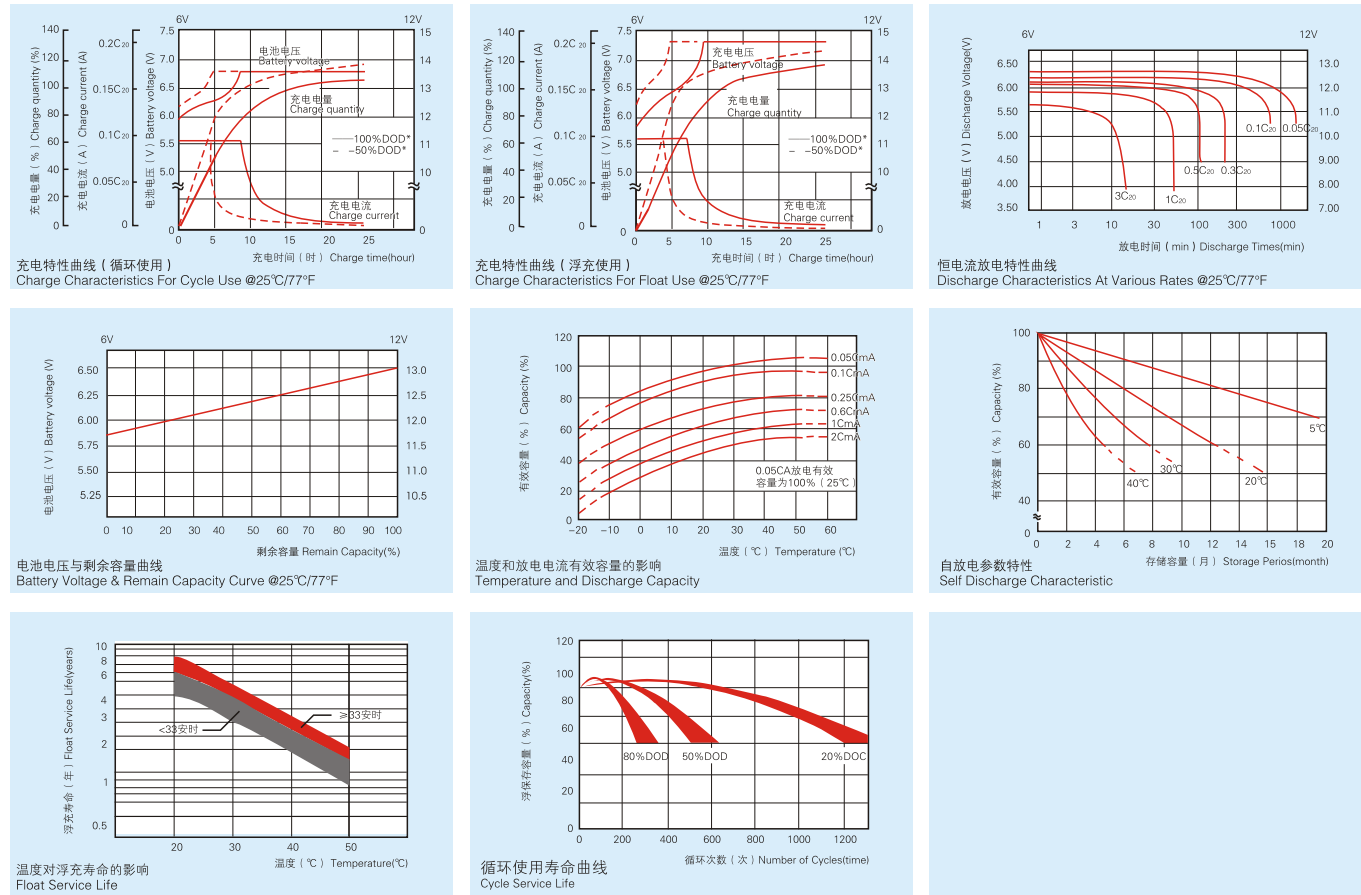
Excellent capacity stability: it adopts colloidal electrolyte of high osmosis, capacity of the storage battery will not be reduced easily.



端子类型图 Terminal type



FMJ系列特性曲线图 FMJ Series Characteristics Curve



FMJ 系列性能参数 FMJ Series Performance Parameter

蓄电池型号 Model	额定电压(V) Nominal Voltage	额定容量(Ah) Nominal Capacity	外型尺寸 Dimensions(mm)				内阻 (mΩ) Internal Resistance	重量 (kg) Weight	端子型号 Terminal Model
			长L	宽W	槽高H	总高TH			
FMJ/BB1212	12	12	151	99	94	100	15	3.75	F2或外接线
FMJ/BB1218	12	18	181	76	168	168	13	5.35	F3或外接线
FMJ/BB1220	12	20	181	76	168	168	12.5	6.2	F3或外接线
FMJ/BB1224T	12	24	175	165	125	125	12	7.6	F4或外接线
FMJ/BB1226T	12	26	175	165	125	125	12	8.1	F4或外接线
FMJ/BB1228T	12	28	175	165	125	125	9.5	8.4	F4或外接线
FMJ/BB1233T	12	33	195	130	162	166	9.0	11.5	F5或外接线
FMJ/BB1240T	12	40	196	165	176	176	8.5	12.8	F6或外接线
FMJ/BB1255T	12	55	229	139	210	216	6.5	16.3	F7或外接线
FMJ/BB1265T	12	65	350	166	175	175	6.0	21.5	F8或外接线
FMJ/BB1275T	12	75	259	168	208	214	4.7	23.0	F7或外接线
FMJ/BB1280T	12	80	259	168	208	214	4.5	23.5	F7或外接线
FMJ/BB12100T	12	100	330	173	216	222	3.6	31.5	F8或外接线
FMJ/BB12120T	12	120	408	172	237	237	3.3	36.5	F8或外接线
FMJ/BB12135T	12	135	482	170	241	241	3.2	41.0	F8或外接线
FMJ/BB12150T	12	150	482	170	241	241	3.2	44.5	F8或外接线
FMJ/BB12200T	12	200	521	238	215	221	2.8	61.0	F8或外接线

FMJ系列恒电流放电参数 FMJ Series Constant Current Discharge Parameter @25°C/77°F

电池型号 Model	终止电压 Final Voltage	放电时间 Discharge Time										
		5M	15M	30M	45M	1h	2h	3h	5h	8h	10h	20h
FMJ/BB 1212	10.8	21.90	12.90	9.38	7.47	4.26	3.05	1.98	1.32	1.09	0.59	0.12
	10.5	22.90	13.30	9.58	7.59	4.30	3.06	1.99	1.33	1.09	0.60	0.12
	10.2	23.60	13.50	9.69	7.65	4.30	3.06	1.99	1.33	1.10	0.60	0.13
	9.9	23.80	13.60	9.74	7.68	4.32	3.07	1.99	1.33	1.10	0.60	0.14
	9.6	24.00	13.70	9.80	7.73	4.34	3.09	2.00	1.34	1.10	0.61	0.14
FMJ/BB 1218	10.8	27.40	17.30	13.10	10.80	6.18	4.42	2.94	1.96	1.62	0.90	0.18
	10.5	29.50	18.30	13.20	11.00	6.44	4.53	3.00	2.05	1.67	0.90	0.18
	10.2	30.40	18.60	13.60	11.20	6.45	4.69	3.00	2.07	1.70	0.91	0.19
	9.9	30.80	18.70	13.80	11.30	6.45	4.69	3.00	2.07	1.70	0.91	0.21
	9.6	31.40	19.10	14.00	11.40	6.45	4.69	3.00	2.07	1.70	0.91	0.23
FMJ/BB 1220	10.8	30.40	19.20	14.60	12.00	6.87	4.91	3.27	2.18	1.80	1.00	0.20
	10.5	32.80	20.30	14.70	12.20	7.16	5.03	3.33	2.28	1.86	1.00	0.22
	10.2	33.80	20.70	15.10	12.40	7.17	5.21	3.33	2.30	1.89	1.01	0.25
	9.9	34.20	20.80	15.30	12.60	7.17	5.21	3.33	2.30	1.89	1.01	0.26
	9.6	31.90	21.20	15.60	12.70	7.17	5.21	3.33	2.30	1.89	1.01	0.26
FMJ/BB 1224T	10.8	36.57	23.17	17.44	14.67	8.24	5.89	3.92	2.62	2.16	1.20	0.24
	10.5	39.45	24.57	17.60	14.81	8.53	6.04	3.99	2.72	2.22	1.20	0.26
	10.2	40.41	24.81	18.07	14.97	8.60	6.26	4.00	2.76	2.26	1.21	0.27
	9.9	41.19	24.92	18.40	15.03	8.60	6.26	4.00	2.76	2.26	1.22	0.29
	9.6	42.43	25.44	18.63	15.21	8.60	6.26	4.00	2.76	2.26	1.22	0.29
FMJ/BB 1226T	10.8	39.62	25.10	18.89	15.89	8.93	6.38	4.25	2.84	2.34	1.30	0.26
	10.5	42.74	26.62	19.07	16.04	9.24	6.54	4.32	2.95	2.41	1.30	0.27
	10.2	43.78	26.88	19.58	16.22	9.32	6.78	4.33	2.99	2.45	1.30	0.29
	9.9	44.62	27.00	19.93	16.28	9.32	6.78	4.33	2.99	2.45	1.31	0.31
	9.6	45.97	27.56	20.18	16.48	9.32	6.78	4.33	2.99	2.45	1.32	0.31
FMJ/BB 1228T	10.8	42.67	27.03	20.34	17.11	9.62	6.87	4.58	3.06	2.52	1.40	0.28
	10.5	46.03	28.67	20.54	17.27	9.95	7.04	4.65	3.18	2.60	1.40	0.29
	10.2	47.15	28.95	21.09	17.47	10.04	7.30	4.66	3.22	2.64	1.41	0.31
	9.9	48.05	29.08	21.46	17.53	10.04	7.30	4.66	3.22	2.64	1.42	0.33
	9.6	49.51	29.68	21.73	17.75	10.04	7.30	4.66	3.22	2.64	1.42	0.33
FMJ/BB 1233T	10.8	50.30	31.80	24.00	20.20	11.30	8.10	5.40	3.60	3.00	1.65	0.33
	10.5	54.30	33.80	24.20	20.40	11.80	8.30	5.50	3.70	3.10	1.65	0.34
	10.2	55.80	34.10	25.00	20.60	11.80	8.60	5.50	3.80	3.10	1.82	0.36
	9.9	56.60	34.30	25.30	20.70	11.80	8.60	5.50	3.80	3.10	1.82	0.38
	9.6	58.30	35.00	25.60	20.90	11.80	8.60	5.50	3.80	3.10	1.82	0.38
FMJ/BB 1240T	10.8	64.70	43.40	33.20	26.60	15.20	10.90	7.00	4.61	3.77	1.97	0.40
	10.5	69.60	45.70	34.30	27.30	15.50	11.00	7.10	4.67	3.81	2.00	0.42
	10.2	72.60	46.20	34.80	27.70	15.70	11.10	7.13	4.69	3.83	2.01	0.44
	9.9	75.330	46.90	34.90	27.80	15.70	11.10	7.15	4.70	3.84	2.01	0.47
	9.6	77.00	47.30	35.00	27.80	15.70	11.20	7.16	4.71	3.84	2.02	0.47
FMJ/BB 1255T	10.8	88.96	59.68	45.65	36.58	20.90	14.99	9.63	6.34	5.18	2.71	0.55
	10.5	95.70	62.84	47.16	37.54	21.31	15.13	9.76	6.42	5.24	2.75	0.56
	10.2	99.83	63.53	47.85	38.09	21.59	15.26	9.80	6.45	5.27	2.76	0.59
	9.9	103.5	64.49	47.99	38.23	21.59	15.26	9.83	6.46	5.28	2.76	0.62
	9.6	105.88	65.04	48.13	38.23	21.59	15.40	9.85	6.48	5.28	2.78	0.62

FMJ系列恒电流放电参数 FMJ Series Constant Current Discharge Parameter @25°C/77°F

电池型号 Model	终止电压 Final Voltage	放电时间 Discharge Time										
		5M	15M	30M	45M	1h	2h	3h	5h	8h	10h	20h
FMJ/BB 1265T	10.8	105.0	70.50	53.90	43.20	24.70	17.60	11.40	7.49	6.12	3.21	0.66
	10.5	113.0	74.30	55.80	44.40	25.30	17.90	11.50	7.59	6.20	3.25	0.68
	10.2	118.0	75.10	56.50	45.00	25.50	18.10	11.60	7.62	6.22	3.26	0.71
	9.9	122.0	76.80	57.00	45.10	25.50	18.10	11.60	7.63	6.23	3.27	0.74
	9.6	125.0	76.80	57.00	45.20	25.60	18.10	11.60	7.65	6.25	3.28	0.74
FMJ/BB 1275T	10.8	124.0	78.00	60.10	46.50	28.70	18.80	12.20	8.90	7.50	3.80	0.76
	10.5	134.0	82.00	60.60	47.60	29.30	19.30	12.50	9.00	7.60	3.90	0.78
	10.2	141.0	84.00	62.60	48.10	29.50	19.40	12.60	9.10	7.70	4.00	0.81
	9.9	143.0	85.00	63.20	48.50	29.70	19.50	12.70	9.20	7.70	4.10	0.83
	9.6	146.0	86.00	63.80	48.80	29.90	19.60	12.80	9.20	7.80	4.10	0.85
FMJ/BB 1280T	10.8	124.0	78.00	60.10	46.50	28.70	18.80	12.20	8.90	7.50	3.80	0.76
	10.5	134.0	82.00	60.60	47.60	29.30	19.30	12.50	9.00	7.60	3.90	0.78
	10.2	141.0	84.00	62.60	48.10	29.50	19.40	12.60	9.10	7.70	4.00	0.81
	9.9	143.0	85.00	63.20	48.50	29.70	19.50	12.70	9.20	7.70	4.10	0.83
	9.6	146.0	86.00	63.80	48.80	29.90	19.60	12.80	9.20	7.80	4.10	0.85
FMJ/BB 12100T	10.8	158.0	107.0	80.10	63.40	38.90	28.00	18.30	12.10	9.87	5.14	1.02
	10.5	168.0	111.0	82.90	65.40	39.80	28.50	18.50	12.30	10.0	5.20	1.03
	10.2	178.0	115.0	84.70	66.70	40.30	28.80	18.70	12.30	10.08	5.25	1.04
	9.9	184.0	117.0	86.20	67.70	40.70	29.10	18.80	12.40	10.12	5.28	1.05
	9.6	189.0	119.0	87.50	68.70	41.10	29.40	18.90	12.50	10.17	5.30	1.05
FMJ/BB 12120T	10.8	189.0	128.0	96.10	76.00	46.70	33.60	21.90	14.50	11.80	6.17	1.21
	10.5	201.0	133.0	99.50	78.50	47.70	34.20	22.20	14.70	12.00	6.20	1.23
	10.2	213.0	138.0	102.0	80.00	48.30	34.50	22.40	14.70	12.10	6.25	1.26
	9.9	220.0	140.0	103.0	81.20	48.80	34.90	22.50	14.80	12.15	6.30	1.28
	9.6	226.0	142.0	105.0	82.40	49.30	35.20	22.60	15.00	12.21	6.32	1.29
FMJ/BB 12135T	10.8	213.0	144.0	108.0	85.60	52.50	37.80	24.70	16.30	13.30	6.85	1.36
	10.5	226.0	149.0	111.0	88.30	53.70	38.40	24.90	16.60	13.50	6.98	1.38
	10.2	240.0	155.0	114.0	90.00	54.40	38.80	25.20	16.60	13.60	7.06	1.41
	9.9	248.0	158.0	116.0	91.40	54.90	39.20	25.30	16.70	13.60	7.10	1.43
	9.6	255.0	160.0	118.0	92.75	55.40	39.60	25.50	16.80	13.70	7.14	1.43
FMJ/BB 12150T	10.8	237.0	160.0	120.0	95.10	58.30	42.00	27.40	18.10	14.80	7.70	1.52
	10.5	252.0	166.0	124.0	98.10	59.70	42.70	27.70	18.40	15.00	7.75	1.54
	10.2	267.0	172.0	127.0	100.0	60.40	43.20	28.00	18.40	15.10	7.82	1.57
	9.9	276.0	175.0	129.0	101.5	61.00	43.60	28.20	18.60	15.20	7.90	1.59
	9.6	283.0	178.0	131.0	103.0	61.60	44.10	28.30	18.70	15.30	7.95	1.61
FMJ/BB 12200T	10.8	316.0	213.0	160.0	126.0	77.70	56.00	36.50	24.10	19.73	10.27	2.02
	10.5	336.0	221.0	165.0	130.0	79.60	56.90	36.90	24.50	20.00	10.33	2.06
	10.2	356.0	229.0	169.0	133.0	80.50	57.60	37.30	24.50	20.13	10.43	2.08
	9.9	368.0	233.0	172.0	135.0	81.30	58.10	37.60	24.80	20.27	10.53	2.08
	9.6	377.0	237.0	174.0	137.0	82.10	58.80	37.70	24.90	20.40	10.60	2.08

GFM Series VRLA Battery

GFM系列阀控式铅酸蓄电池

槽式化成保证电池达到100%容量，并使电池均衡性达到最优化。

The trough type turns into guaranteed that the battery achieves 100% capacities, and enables batteries equalization to reach the best.

