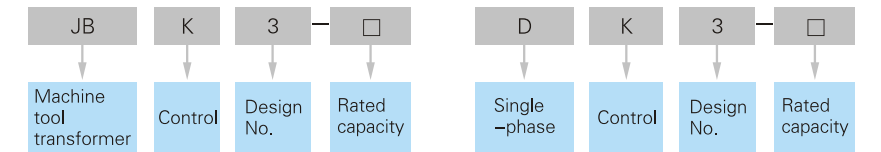




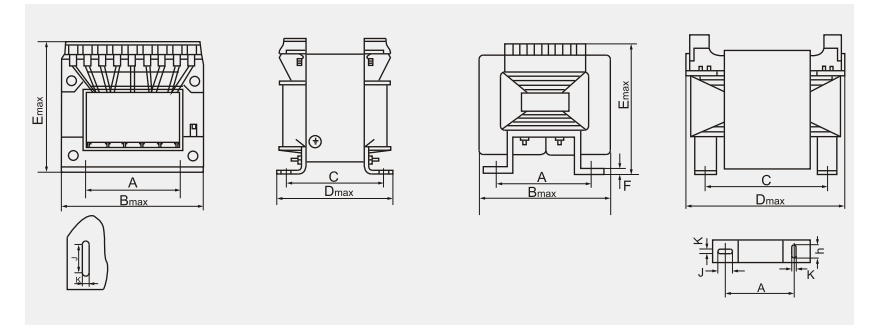
JBK3(DK3) Machine tool control transformer

JBK3 series machine tool control transformer is a kind of new product by reference to sample of SIMENS Company, it accords with standards like VDE0550, IEC204-1, IEC439, GB5226, etc. It is suitable for AC circuit of 50 ~ 60Hz, output rated voltage less than 220V, input rated voltage less than 500V, worked as control power supply for mechanical equipment and general electrical appliance and as power supply for work lighting and signal lamp.

Model Implication



Overall size



Installation size

Model	Overall size(mm)			Hole distance for installation(mm)		Installation hole(mm) K或K×J	Fmax (mm)
	Bmax	Dmax	Emax	A	C		
JBK3-40	8	6	8.5	56 ± 0.4	51 ± 2	4.8 × 9	12
JBK3-63	8	6.5	8.5	56 ± 0.4	51 ± 2	4.8 × 9	12
JBK3-100	8.5	8	9.5	64 ± 0.4	66 ± 2	4.8 × 9	12
JBK3-160	9.6	9	10	84 ± 0.4	73 ± 2	5.8 × 11	14
JBK3-250	9.6	10.5	10	84 ± 0.4	87 ± 2	5.8 × 11	14
JBK3-400	12	11	12	90 ± 0.4	90 ± 2	7 × 12	18
JBK3-630	12	11	12	122 ± 0.5	90 ± 2	7 × 12	22
JBK3-1000	20	16	15	126 ± 2	152 ± 2	7 × 12	18
JBK3-1600	20	16	15	140 ± 2	176 ± 2	7 × 12	18
JBK3-2500	26	20	17	172 ± 2	200 ± 2	7 × 12	18